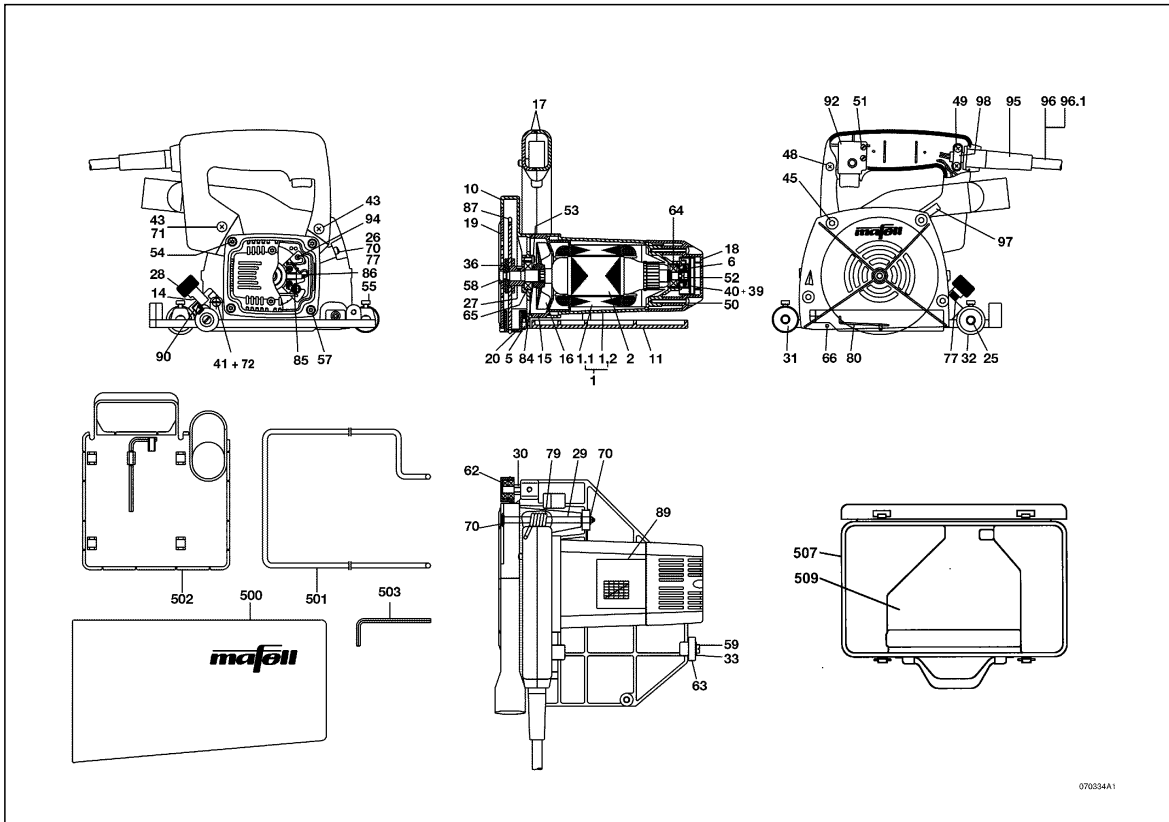


Grooving Machine KFU 1000 E



hotspot	spare part number	EAN	name of spare part	price in €	Preis-schlüssel
1	084542	4032689133584	Motor casing with inductor	0,00	32
1.1	084540	4032689133591	Inductor with coil	0,00	28
1.2	202045	4032689133775	Motor casing, empty	0,00	21
2	088142	4032689003412	Armature, balanced	0,00	39
5	037831	4032689096506	Cutting depth adjustment, cpl.	0,00	25
6	038975	4032689098470	Tachometer carrier	0,00	14
10	202261	4032689084411	Protective cover	0,00	40
11	202273	4032689042459	Base plate	0,00	34
14	202263	4032689117232	Indicator	0,00	4
15	037803	4032689059754	Air conducting ring	0,00	12
16	032675	4032689059587	Fan	0,00	8
17	038413	4032689041636	Handle shells (pair)	0,00	18
18	039220	4032689063058	Motor cover	0,00	11
19	039289	4032689000411	Cover	0,00	12
20	037823	4032689083247	Guard	0,00	11
25	202270	4032689002095	Arbor, long	0,00	10
26	037817	4032689043586	Retaining bolt	0,00	10
27	037813	4032689030814	Flange, rear	0,00	19
28	202262	4032689105987	Adjusting screw	0,00	15
29	037816	4032689085678	Arbor for lowering	0,00	11
30	202259	4032689002088	Arbor, short	0,00	10
31	202267	4032689061283	Front guide roller	0,00	13
32	202266	4032689034980	Guide roller R 2	0,00	14
33	037818	4032689016597	Bush	0,00	10
36	037826	4032689031316	Flange, front	0,00	6
39	203729	4032689150789	Setting wheel	0,00	6
40	076484	4032689072791	Control module	0,00	32
41	005248	4032689039893	Threaded pin	0,00	1
43	055102	4032689058566	Oval-head screw	0,00	1
45	005372	4032689088280	Flat-head screw	0,00	1
48	055061	4032689058313	Cylindrical oval-head screw	0,00	1
49	055062	4032689058108	Self-tapping oval-head screw	0,00	1
50	055194	4032689058269	Cylindrical oval-head screw	0,00	1
51	055143	4032689058504	Oval-head screw	0,00	1

hotspot	spare part number	EAN	name of spare part	price in €	Preis-schlüssel
52	005505	4032689119595	Cylinder-head screw	0,00	1
53	055091	4032689058351	Cylindrical oval-head screw	0,00	1
54	055115	4032689058122	Oval-head screw	0,00	1
55	055022	4032689119786	Cylinder-head screw	0,00	2
57	055069	4032689058528	Oval-head screw	0,00	1
58	055147	4032689119977	Cylinder-head screw	0,00	2
59	055024	4032689119816	Cylinder-head screw	0,00	1
62	006292	4032689053592	Grooved ball bearing	0,00	14
63	006234	4032689053646	Grooved ball bearing	0,00	15
64	006282	4032689053615	Grooved ball bearing	0,00	16
65	006280	4032689053417	Grooved ball bearing	0,00	17
66	005833	4032689093093	Spring dowel sleeve	0,00	1
70	061106	4032689088686	Locking washer	0,00	1
71	029513	4032689024943	Insertion nut	0,00	3
72	005901	4032689113784	Hexagonal nut	0,00	1
77	066043	4032689021393	Pressure spring	0,00	2
79	037819	4032689020754	Torsion spring	0,00	4
80	037827	4032689014234	Bending spring	0,00	2
84	006120	4032689019949	Shim ring	0,00	2
85	063160	4032689132631	Brush holder	0,00	7
86	063164	4032689132709	Carbon brush with automatic cut-off	0,00	11
87	091794	4032689065694	Groove-cutting blade	0,00	99
89	077072	4032689021058	Speed diagram	0,00	3
90	077073	4032689089508	Skale	0,00	4
92	087518	4032689108537	2-pole switch with locking button	0,00	12
94	087766	4032689026275	Coil choke, cpl.	0,00	6
95	086065	4032689048192	Cable protecting sleeve	0,00	2
96	087604	4032689007243	Mains cable 10 m (32.8 ft.)	0,00	24
97	034779	4032689085401	Protective tube	0,00	1
98	029584	4032689048031	Cable clamp	0,00	1
500	202272	4032689095875		0,00	22
501	202271	4032689016689	Frame	0,00	11
502	202269	4032689095851		0,00	14

hotspot	spare part number	EAN	name of spare part	price in €	Preis-schlüssel
503	093074	4032689115146	Allen key	0,00	2
507	095034	4032689100463	Carrying case	0,00	25
509	095040	4032689054100	Tray for carrying case	0,00	11

contact

MAFELL AG

Beffendorfer Straße 4
D-78727 Oberndorf / Neckar
Germany

Tel.: +49 7423 / 812-114
Fax: +49 7423 812-102
Email: export@mafell.de