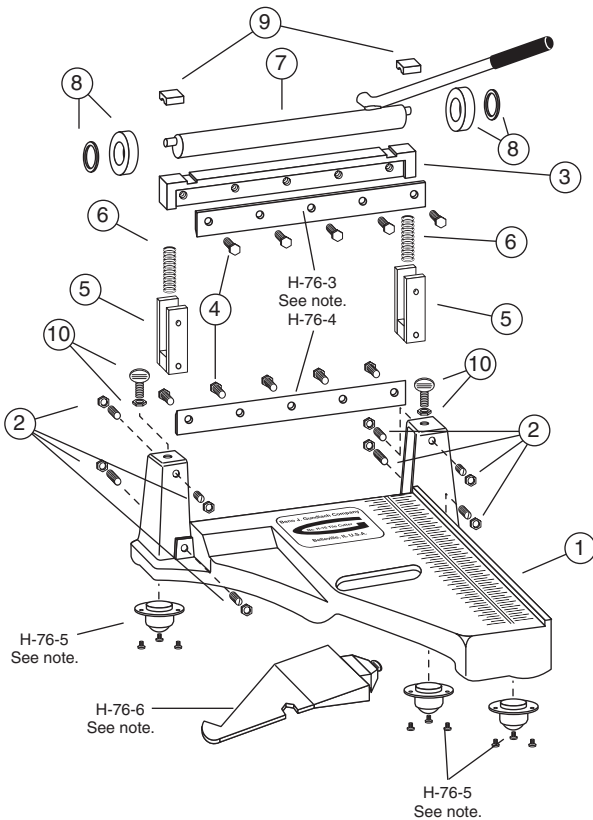
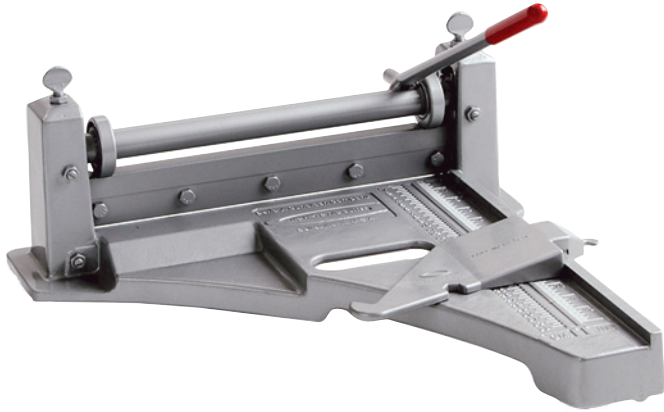


Nos. H-76-1 and H-76-2 Tile Cutters



Key	Item Number	Qty. Used	Description
1	H-76-7	1	Base Casting
2	H-76-8	1 set	Set Screw and Nut (8/set)
3	H-76-9	1	Upper Blade Bar
4	H-76-10	10	Blade Cap Screw
5	H-76-11	2	Upper Blade Bar Slide Plate
6	H-76-12	2	Coil Spring
7	H-76-13	1	Crankshaft and Handle with Grip
8	H-76-14	2	Crankshaft Ball Bearing with Retainer
9	H-76-15	2	Crankshaft Cam Bearing
10	H-76-16	2	Thumb Screw with Nut
—	H-5	1 set	Casters with Bolts and Nuts (3/set) These casters are for all older models that have only the inch scale on the base casting.

Note: See current product catalog for the following parts:

- No. H-76-3 Upper Blade
- No. H-76-4 Lower Blade
- No. H-76-5 Casters with Screws (3/set)
- No. H-76-6 Combination Gauge with Screw



Beno J. Gundlach Company
 211 North 21st Street • P.O. Box 544
 Belleville, IL 62222 • U.S.A.
 TEL: 618 233-1781 • FAX: 618 233-3636
 www.benogundlachco.com